

Choose LEBAL®



More precise
More economic

You shouldn't
suffer
bad quality
anymore!



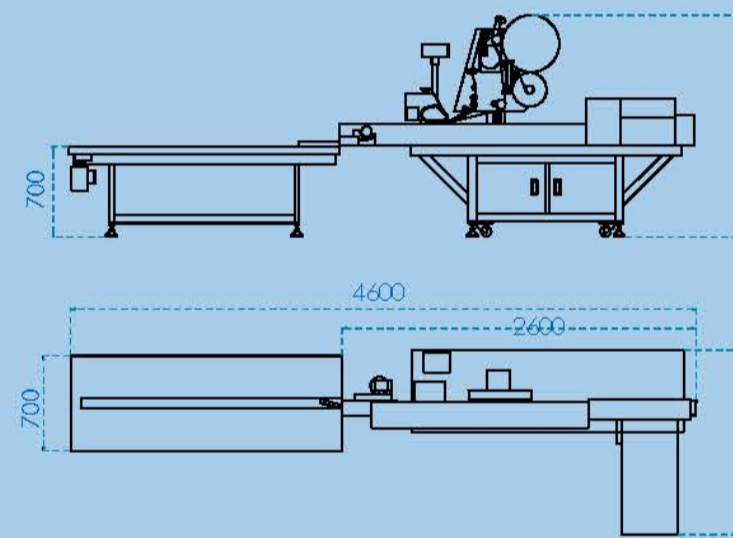
Technical Specifications

Power Supply:	1Φ, AC200V, 50/60HZ
Power Consumption:	2.0 KW
Air Pressure:	Ca. 3m ² /h 4.5kg/cm ²
Labeling speed:	100~300 bottles / min (diameter Φ25mm)
Labeling toleration:	±1.0mm
Container range:	height 30~120mm, Φ10~25mm
Label Paper Range:	height 10~80mm, length 25~80mm
Max Label-roll diameter:	OutsideΦ420mm, Inside of paper roll: Φ76mm
Distance between Label Papers:	3~4mm
Interval between Label and Based paper:	2mm
Machine Size:	as layout below
Machine Weight:	N. wt. 320kg G. wt. 420kg
Measurement of Wood:	Packing wooden case 2.8 x 1.6 x 1.8 M ³

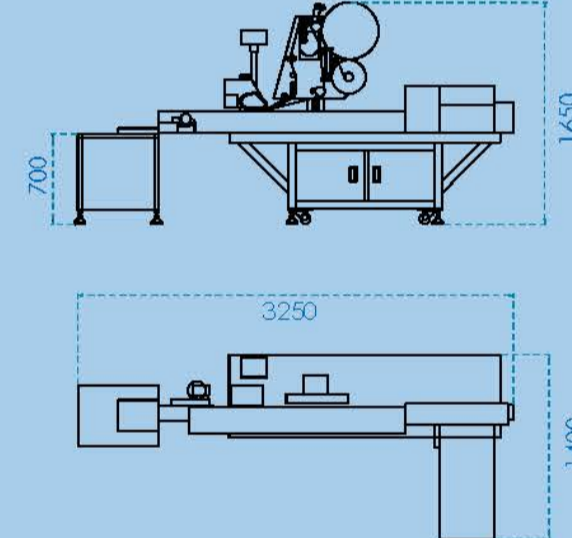
Note: All specifications are subject to change without notice.

Layout

ASL-300T



ASL-300C



*Necessary change parts while changed different bottle: a. Vertical-feed screw, b. reverse tunnel set, c. Final reverse device.

*Optional device: Hot Stamp Printer

*Special case is available.

*Specifications & design subject to change without notice.

*LEBAL®TAIWAN trade mark belongs to LEBAL Trading co.,Ltd. All rights must be reserved and authorized by LEBAL Trading co.,Ltd. The labels of bottles shown inside the catalog are owned by every affiliated company.

LEBAL TRADING CO., LTD.

ADD: 32846 No.136-1, 8 Neighbor, LunPing Village,
GuanYing Township, TaoYuan County, Taiwan.

TEL: +886-3-4081288 FAX: +886-3-4081866

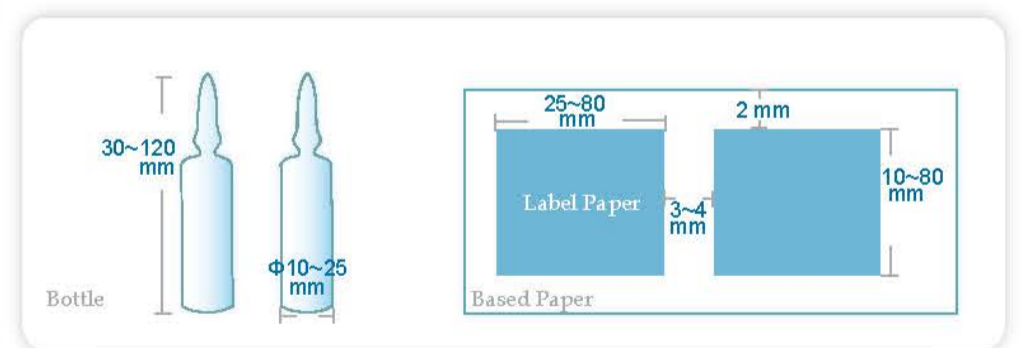
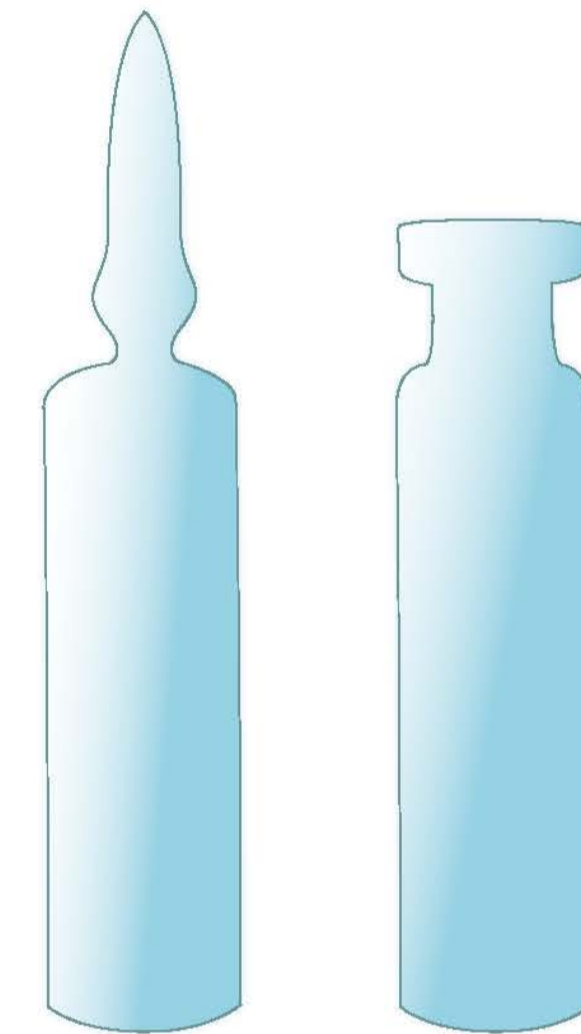
e-mail: LEBAL.TAIWAN@gmail.com

Website: www.e-lebal.com

LEBAL®TAIWAN
Your label, serviced by LEBAL

2008.04 version

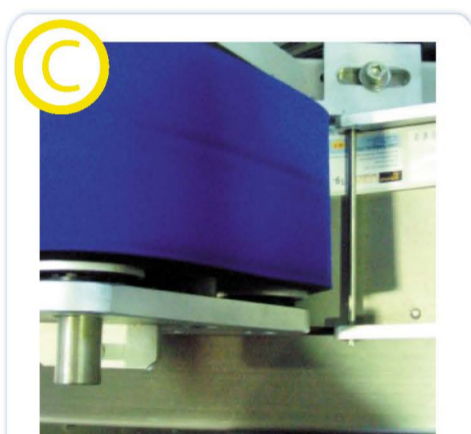
Labeling Machine for
Tiny cylinder bottles
Ampoules, Vials...etc.



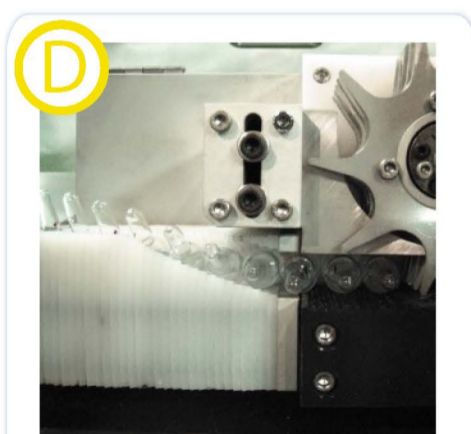
Your Label- Serviced by **LEBAL®**
PERFECT LABELER made in Taiwan

ASL-series Tiny Cylinder Bottles Labeling Machine (Ampoules, Vials)

Vertical Feeding / Horizontal Labeling



Paste with Sponge-wheel
Rotating sponge-wheel makes label pasted on bottles more firmly.

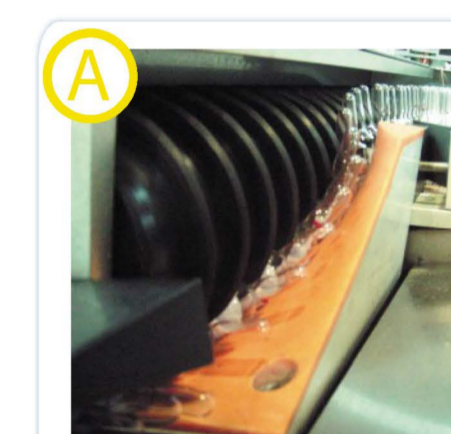


Final Reverse device Convenient to collect
Unique designed reverse device overturns bottles stand and that make collecting more efficient.

ASL-300T
with packaging table



ASL-300C
with packaging case



Vertical-Feed With reverse tunnel
Vertical-feed save manpower and more efficient. Bottles lie down through reverse tunnel and easily labeled.



Photo sensor
Untouch sensor can adjust shooting label length through press “+”, “-” button.

LEBAL® TAIWAN
Your label, serviced by LEBAL